

CHEMICAL BARREL

Reusable barrel in open TRI SURE system

Transport approval

UN 1A1/X2/900

Material

1.4301 (304) or 1.4404 (316L)

Finishing

stained in the bath or electropolished inside and outside

Volumes

10 to 200 liters (see type overview)

Gaskets

PTFE or Viton

Pressure

-1 to 5 bar

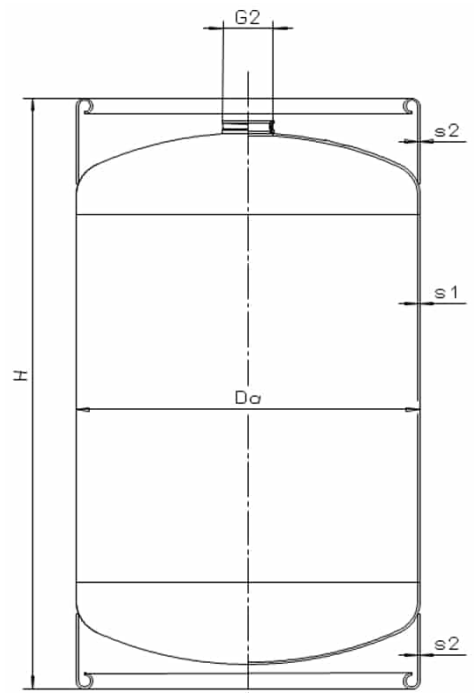
Equipment

- Central opening G 2" (additional opening G 3/4" with TRI SURE screw cap)
- Removal by means of separate removal unit



Type	Material	Finishing	Volume [l]	Ø Da [mm]	H [mm]	s [mm]	Mass [kg]	Pressure [bar]
LTA 10	1.4301 (304)	stained	12	278	315	1,5	6	5
LTA 20	1.4301 (304)	stained	22	278	470	1,5	7	5
LTA 30	1.4301 (304)	stained	32	363	435	1,5	10	5
LTA 50	1.4301 (304)	stained	53	363	630	1,5	14	5
LTA 100	1.4301 (304)	stained	110	450	880	2	30	5
LTA 200	1.4301 (304)	stained	225	600	960	2	43	4

➔ Further variants, see reverse



Safety for people, product and the environment



Dipl.-Ing. Wilhelm Schmidt GmbH
 Breslauer Str. 14
 64342 Seeheim-Jugenheim
 Germany

+49 6257 50 69 0
 +49 6257 50 69 50
 info@schmidt-seeheim.de
 www.schmidt-seeheim.com

Type	Material	Finishing	Volume [l]	Ø Da [mm]	H [mm]	s [mm]	Mass [kg]	Pressure [bar]
NTA 10	1.4404 (316L)	stained	12	278	315	1,5	6	5
NTA 20	1.4404 (316L)	stained	22	278	470	1,5	7	5
NTA 30	1.4404 (316L)	stained	32	363	435	1,5	10	5
NTA 50	1.4404 (316L)	stained	53	363	630	1,5	14	5
HTA 100	1.4404 (316L)	stained	110	450	880	2	30	5
HTA 200	1.4404 (316L)	stained	225	600	960	2	43	4

LTB 10	1.4301 (304)	stained	12	278	315	1,5	6	5
LTB 20	1.4301 (304)	stained	22	278	470	1,5	7	5
LTB 30	1.4301 (304)	stained	32	363	435	1,5	10	5
LTB 50	1.4301 (304)	stained	53	363	630	1,5	14	5
LTB 100	1.4301 (304)	stained	110	450	880	2	30	5
LTB 200	1.4301 (304)	stained	225	600	960	2	43	4

NTB 10	1.4404 (316L)	stained	12	278	315	1,5	6	5
NTB 20	1.4404 (316L)	stained	22	278	470	1,5	7	5
NTB 30	1.4404 (316L)	stained	32	363	435	1,5	10	5
NTB 50	1.4404 (316L)	stained	53	363	630	1,5	14	5
HTB 100	1.4404 (316L)	stained	110	450	880	2	30	5
HTB 200	1.4404 (316L)	stained	225	600	960	2	43	4

xTA: Centric 2" opening

xTB: Centric 2" and 3/4" opening